

Push Button DT6 DALI Group Controller

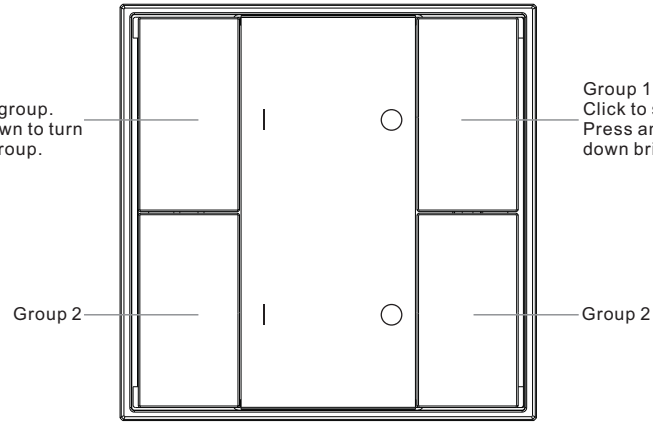
09.2402K4G.04859



Important: Read All Instructions Prior to Installation

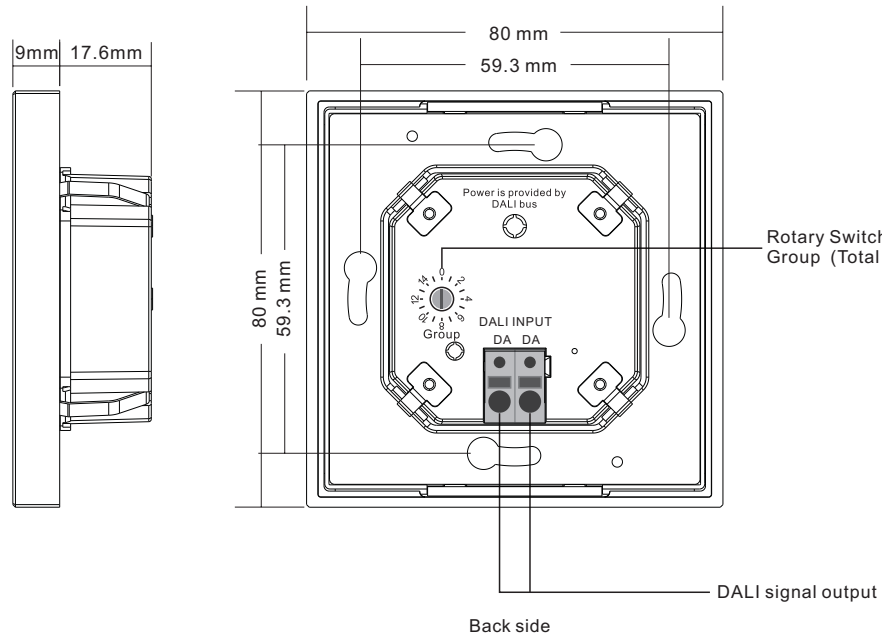
Function introduction

Group 1:
Click to switch on group.
Press and hold down to turn
up brightness of group.



Front side

Group 1:
Click to switch off group.
Press and hold down to turn
down brightness of group.

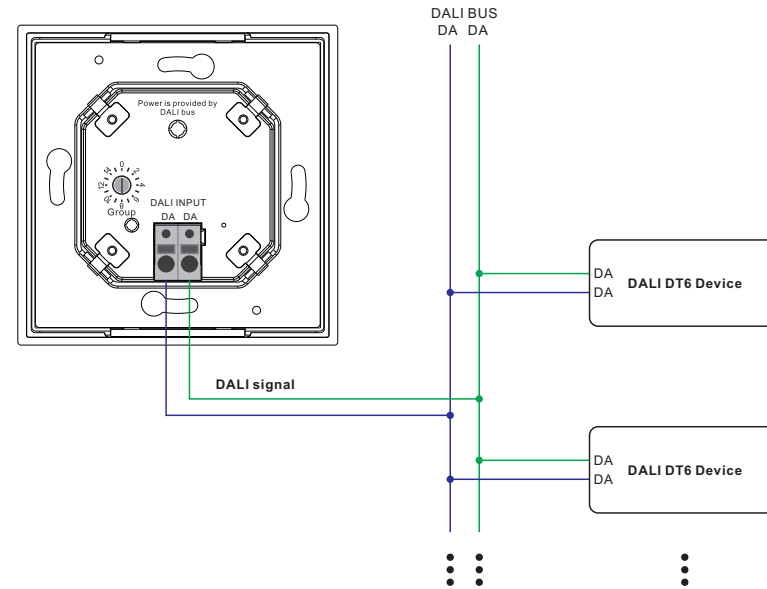


Product Data

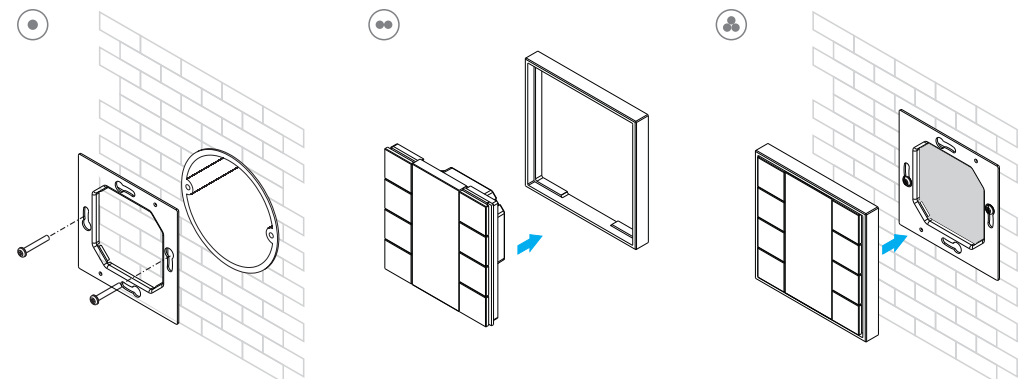
| | |
|-----------------------|--------------------|
| Output | DALI signal |
| Power Supply | Supply By DALI Bus |
| Operation Current | 30mA |
| Operating temperature | 0-40°C |
| Relative humidity | 8% to 80% |
| Dimensions | 80x80x26.6mm |

- DALI DT6 push button controller
- Ultra slim and luxury design
- Material and finishing color can be customized
- With back lighting design, easy to find even in dark night
- DALI bus powered, no extra power supply required
- Each channel DALI bus can install multiple controllers
- Enables to select and control 2 DALI groups from total 16 DALI groups
- Easy installation with mounting bracket
- Waterproof grade: IP20

Wiring Diagram



Installation



Safety & Warnings

- DO NOT installed with power applied to device.
- DO NOT expose the device to moisture.

Operation

1. Do wiring according to connection diagram correctly.

2. Set starting Group number via rotary switch on the back: (0-15 selectable)

- This DALI push button controller enables dimming commands to be sent to Two Groups of devices on the DALI circuit by two groups of buttons. A rotary switch on the back is used to select DALI Groups you would like to control and set the starting Group number, and total 16 Groups (0-15) can be selected.

- When the rotary switch arrow position is at 0, Group 1 buttons controls all devices on DALI circuit through broadcast, Group 2 buttons controls DALI group 0.

- When the rotary switch arrow position is at X except 0 (1-15), Group 1 buttons controls DALI Group X-1, Group 2 buttons controls DALI Group X.

For example: Rotary switch arrow at 1, Group 1 buttons controls DALI Group 0, Group 2 buttons controls DALI Group 1. Rotary switch arrow at 15, Group 1 buttons controls DALI Group 14, Group 2 buttons controls DALI Group 15.

Please refer to the detailed Group setting table as follows:

| | | | | | | | | | | | | | | | | |
|--------------------------------|-----------|---|---|---|---|---|---|---|---|---|----|----|----|----|----|----|
| Rotary Switch Position | 0 | 1 | 2 | 3 | 4 | 5 | 6 | 7 | 8 | 9 | 10 | 11 | 12 | 13 | 14 | 15 |
| DALI Group for Group 1 Buttons | Broadcast | 0 | 1 | 2 | 3 | 4 | 5 | 6 | 7 | 8 | 9 | 10 | 11 | 12 | 13 | 14 |
| DALI Group for Group 2 Buttons | 0 | 1 | 2 | 3 | 4 | 5 | 6 | 7 | 8 | 9 | 10 | 11 | 12 | 13 | 14 | 15 |

Note: please assign the devices on DALI circuit to a DALI group(0-15) with DALI master controller first.